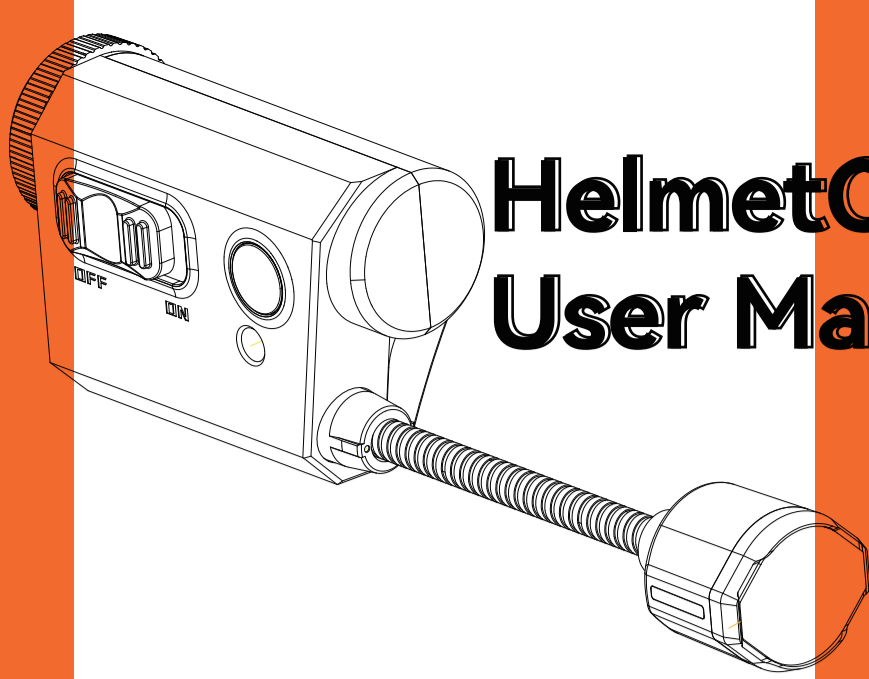
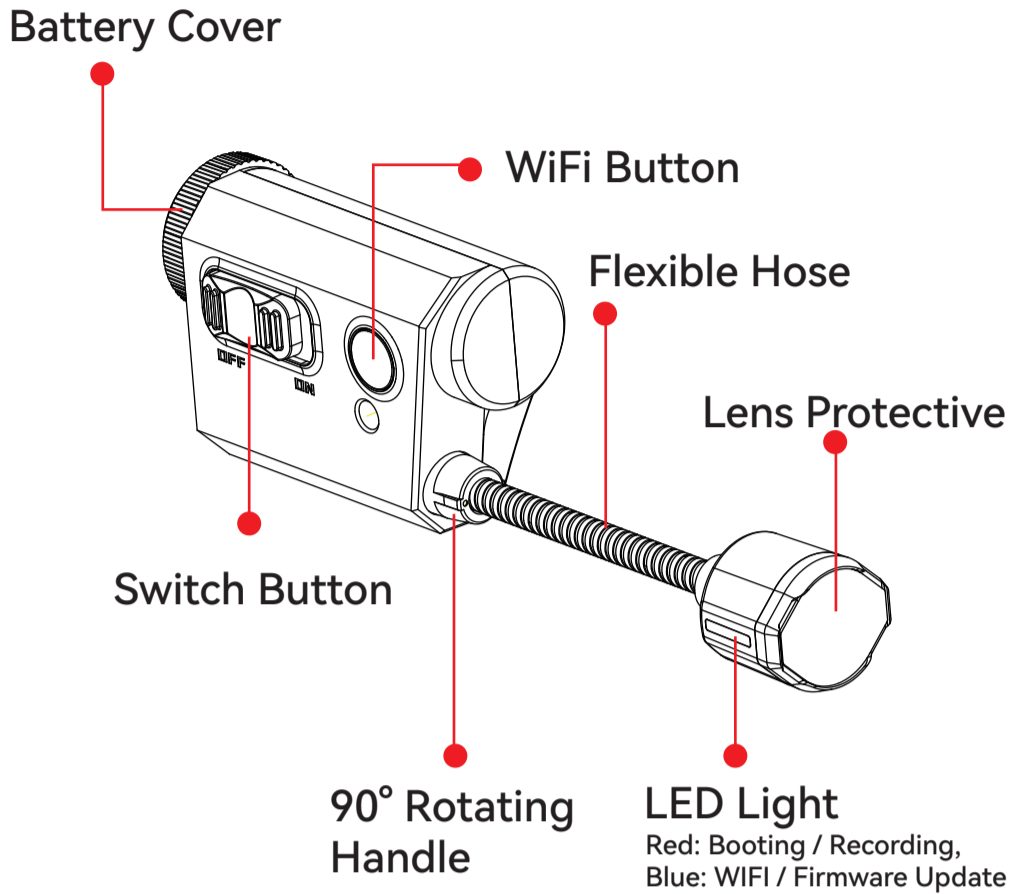


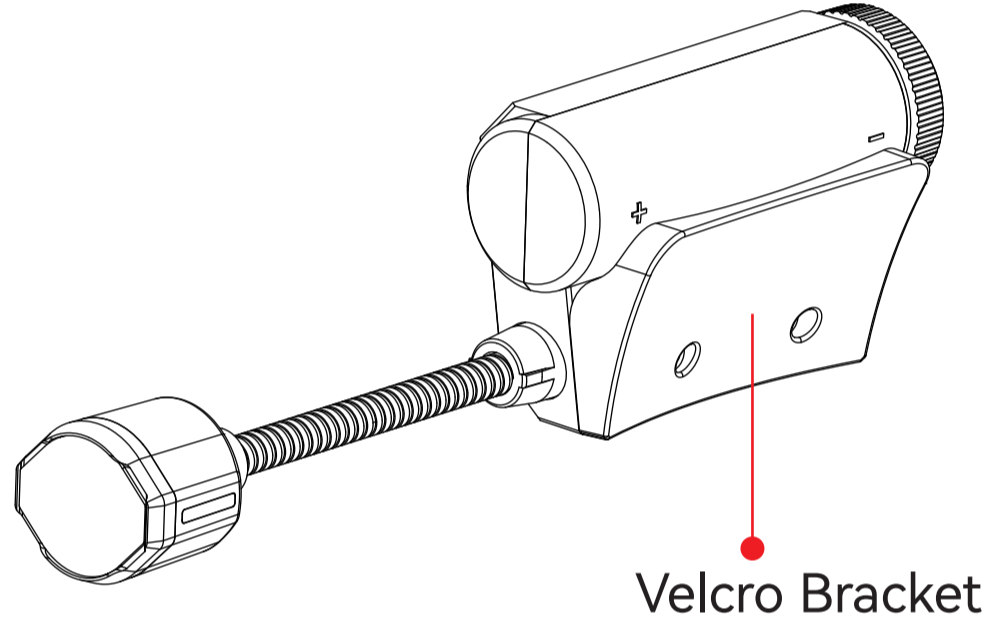
# HelmetCam User Manual



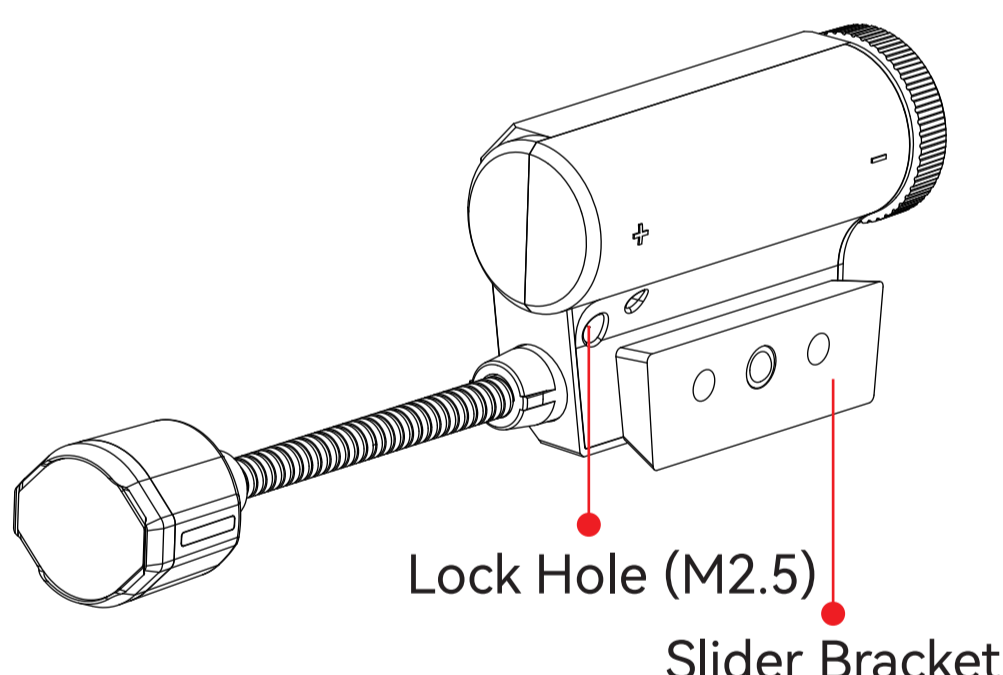
## 1 Quick Guide



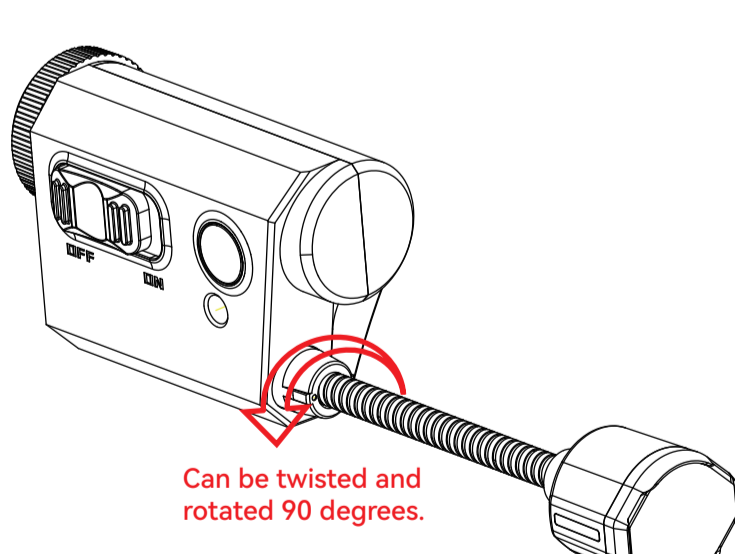
### ▲ Installation Method 1



### ▲ Installation Method 2



## 2 Camera Rotation



## 3 Camera Operations

Function	Operation
Power On/Off	-Push up the switch button to power on, red light stays on, camera vibrates. -Push down the switch button to power off, camera vibrates, all lights turn off.
Start/Stop Recording	-Push up the switch button, camera starts recording automatically after power on, red light flashes slowly, camera vibrates. -Push down the DIP switch button, camera vibrates, stops recording and powers off.
Turn on/Turn off WiFi	-In power-on state, short press the WiFi button to enable WiFi, camera vibrates, red light stays on, blue light flashes slowly. -In WiFi state, short press the WiFi button to disable WiFi, camera vibrates, red light stays on.
Low Battery Reminder	-When the battery is low, the camera vibrates every 5 seconds, 3 times in total, and automatically powers off after 5 minutes.

## 4 Micro SD Card

It is recommended to use a U3 card, supports up to microSD 128GB card.

Note:

Please handle the microSD card with care when inserting or removing it. Avoid contact with liquids, dust, and debris. For caution, please turn off the camera before inserting or removing the microSD card. Please refer to the instructions provided by the microSD card manufacturer and use it within the acceptable temperature range.

## 5 Connecting to a Computer

Connect to a computer via Micro USB, it will be recognized as a USB drive.

Note:

If the camera is not recognized after connecting to the computer, please make sure there is a microSD card in the camera. If the information on the microSD card cannot be read properly, please try changing the USB cable or the USB port on the computer.

## 6 Firmware Upgrade

To ensure the best performance of the camera, please use the latest firmware version. Refer to:

<https://www.runcam.com/download/HelmetCam>

Firmware upgrade status (blue light flashes slowly, then rapidly, camera powers off after the upgrade is complete).

## 7 Technical Support

Please visit: <https://support.runcam.com/hc/en-us>

## 8 Camera Specifications

Model	RunCam Helmet Camera
Image Sensor	1/2.9" Sensor
Video Resolution	1920*1080@60fps
Lens	FOV D:155° H:135° V:77°
ISO	Auto
Shutter	Auto
Video Format	MP4
USB	Type-C
Current	400mA@5V
Net Weight	110g
Dimensions	167*28*50mm